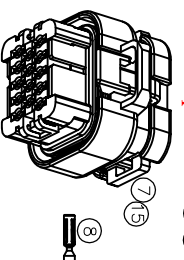
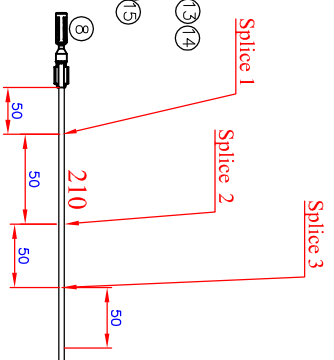


Length tolerance:
do 150 mm -

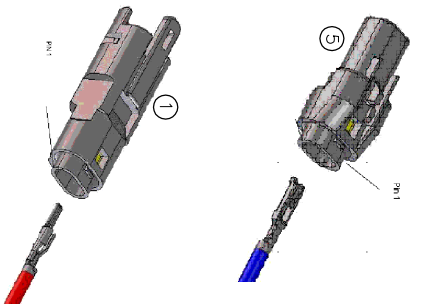
+2
-2



Hauptstecker (3)(4)



Pin connection	Typ and cross-section	Colour	Description
1	FLRY-4B 0,5	green	
2	FLRY-4B 0,5	white	
3	FLRY-4B 0,5	yellow	
5	FLRY-4B 0,5	orange	
6	FLRY-4B 1,0	black	
7	FLRY-4B 0,5	purple	
9	FLRY-4B 1,0	red	
10	FLRY-4B 1,0	black	
11	FLRY-4B 1,0	black	
12	FLRY-4B 0,5	brown	
13	FLRY-4B 1,0	red	
14	FLRY-4B 1,0	red	



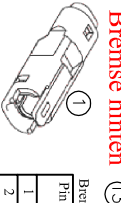
Bremsvorn (3)(4)

Pin connection	Typ and cross-section	Colour	Description
1	FLRY-4B 0,5	brown	
2	FLRY-4B 0,5	green	



Gasgriff (3)(4)

Pin connection	Typ and cross-section	Colour	Description
1	FLRY-4B 0,5	brown	
2	FLRY-4B 0,5	purple	
3	FLRY-4B 0,5	yellow	
4	FLRY-4B 0,5	yellow	



Bremsvorn (3)(4)

Pin connection	Typ and cross-section	Colour	Description
1	FLRY-4B 2,5	red	
2	Zagzew 1	FLRY-4B 2,5	black

* E

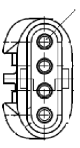
Pin connection	Typ and cross-section	Colour	Description
1	Splice 2	FLRY-4B 2,5	red
2	Zagzew 1	FLRY-4B 2,5	black

Lampe hinten "F"

Pin connection	Typ and cross-section	Colour	Description
1	G/4	FLRY-4B 0,5	black-red
2	G/3	FLRY-4B 0,5	blue

Lampe hinten (3)(4)

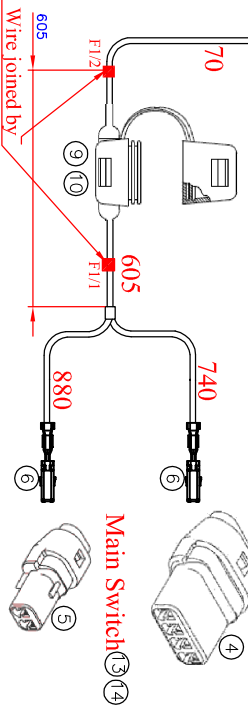
Lampe vorn (3)(4)



Lampe vorn "G"

Pin connection	Typ and cross-section	Colour	Description
1	F/1	FLRY-4B 0,5	red
2	Zagzew 1	FLRY-4B 0,5	black
3	F/2	FLRY-4B 0,5	blue
4	F/1	FLRY-4B 0,5	black-red

21 * 1107 and secure position in the table 11 i 12



Main Switch "H"

Pin connection	Typ and cross-section	Colour	Description
1	A/5	FLRY-4B 0,5	orange
2	Splice 1	FLRY-4B 0,5	black

2600000040	17	x	Insulating tape fi. 9mm
2100001107	16	2	ERGO-M 320-108501
2200001687	15	2	AMP 0-40/706/78-1
P000000501	14	8	Label 18x6
290000021	13	8	Cable tie
2600000004	12	x	Glue
2400000267	11	x	Radpol RCK 6/2
2910000006	10	1	Linefuse 257001
2910002539	9	1	Linefuse FHAC0002_LXN
2100000923	8	12	AMP 7/0520-1
2200006771	7	1	AMP 7/6273-1
2100003804	6	9	MOLEX 50148-8000
2200007465	5	1	MOLEX 52213-0211
2200013916	4	1	MOLEX 52213-0417
2200013914	3	1	MOLEX 52213-0311
2100003803	2	4	MOLEX 50147-8000
2200007464	1	2	MOLEX 52266-0211

Pos.	Quantity	Name of material	Index
Draun by: Magdalena Kozmaruk 10.02.2016			
Checked: Bartosz Przepiorkowski 10.02.2016			
Approved: Marcin Kwiec 10.02.2016			

Product name: HT13008	
Product number: HT13008	
Sheet: 1	Sheets: 1
Part number: A2	
Size: A2	